

TAD1640-1642VE-B is a powerful, reliable and economical Versatile Diesel Engine range built on the Volvo in-line six concept.

### Low cost of ownership

World class fuel efficiency combined with a reliable engine gives high uptime as well as low cost of ownership.

### Compact and simple installation

As optional equipment all material needed in order to install the engine can be ordered from Volvo Penta. Installation guidelines as well as drawings and CAD models are easy to access. The result is an engine that is easy to install with minor impact on existing machine layout.

### Durability & low noise

Designed for the easiest, fastest and most economical installation. Well balanced to produce smooth operation with low noise level, featured with high torque.

### Power and torque

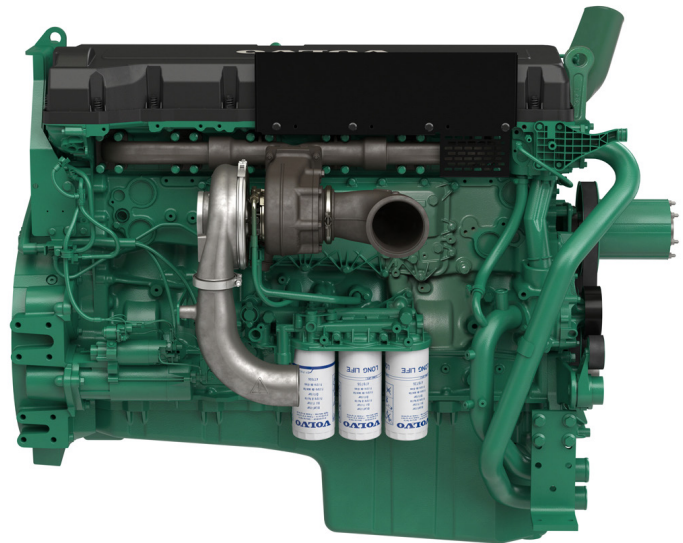
Maximum power and torque available at low rpm. As a result noise as well as fuel consumption is very low. Useful engine speed for the TAD1640-1642VE-B is due to power and torque layout very flexible.

### Low exhaust emission

Efficient injection as well as robust engine design contributes to excellent combustion and low fuel consumption. TAD1640-1642VE-B complies with EU Stage II / EPA Tier 2 emissions.

### Easy service & maintenance

Easily accessible service and maintenance points contribute to the ease of service of the engine. As optional equipment possible to remote mount filters and service points.



### Features & Benefits

- Low cost of ownership
- Proven and straight-forward design
- Compact and simple installation
- High power and torque available at low engine speed
- Wide range of optional equipment, please see order specification

### Technical description

#### Engine and block

- Cast iron cylinder block
- Wet, replaceable cylinder liners
- Replaceable valve guides and valve seats
- Overhead camshaft and four valves per cylinder

#### Lubrication system

- Full flow disposable spin-on oil filter
- Gear type lubricating oil pump, gear driven by the transmission
- Oil level sensor at startup

#### Fuel system

- Electronic high pressure unit injectors
- Fuel prefilter with water separator and water-in-fuel indicator / alarm
- Gear driven low-pressure fuel pump

- Fine fuel filter with manual feed pump and fuel pressure switch

#### Cooling system

- Available as Power Pac or base engine.
- Belt driven coolant pump with high degree of efficiency

#### Turbocharger

- Electronically controlled Waste-gate

#### Electrical system

- Engine Management System 2 (EMS 2), an electronically controlled processing system which optimizes engine performance.
- The instruments and controls connect to the engine via the CAN SAE J1939 interface. Options for engine control equipment.

# TAD1640-1642VE-B

## Technical Data

### General

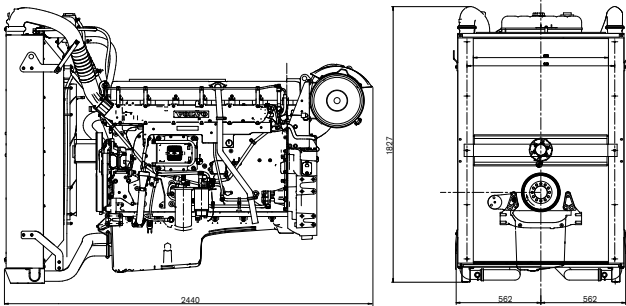
Engine designation .....TAD1640-1642VE-B  
 No. of cylinders and configuration.....in-line 6  
 Method of operation .....4-stroke  
 Bore, mm (in.).....144 (5.67)  
 Stroke, mm (in.).....165 (6.50)  
 Displacement, l (in<sup>3</sup>).....16.12 (984)  
 Compression ratio.....16.8  
 Wet weight, engine only, kg (lb).....1440 (3175)  
 Oil system capacity incl filters, liter (US gal).....48 (12.68)

Engine	kW	Hp	rpm	Nm
TAD1640VE-B	405	551	1900	2760
TAD1641VE-B	450	612	1800	2910
TAD1642VE-B	515	700	1800	3220

For details see Technical Data

## Dimensions TAD1640-1642VE-B

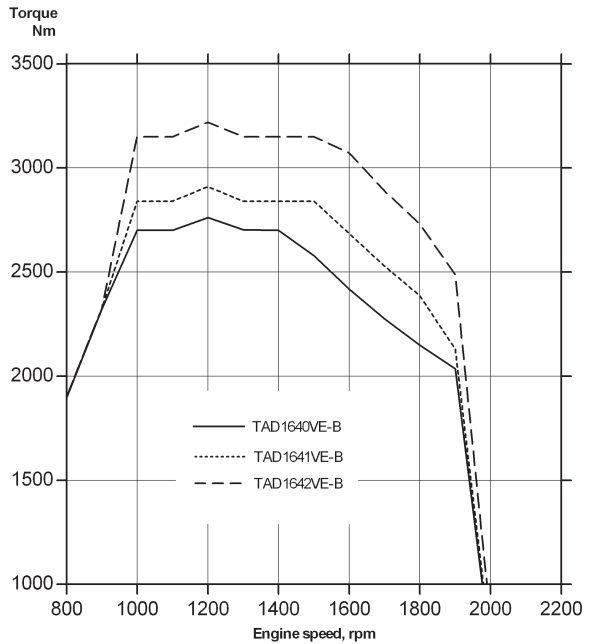
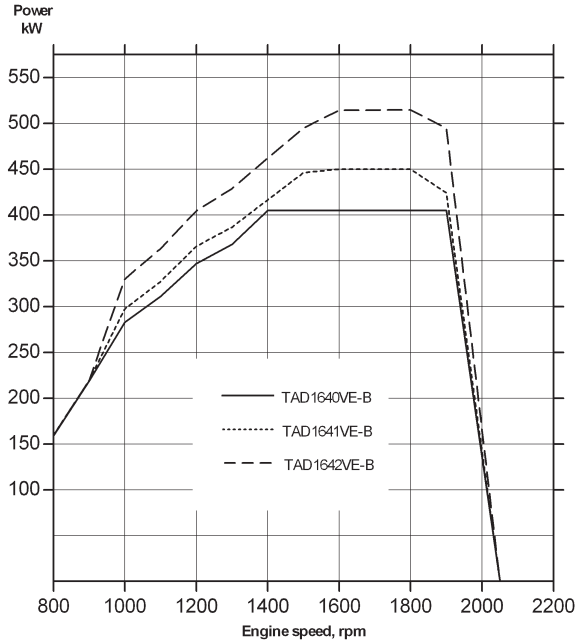
Not for installation



Note! Not all models, standard equipment and accessories are available in all countries. All specifications are subject to change without notice. The engine illustrated may not be entirely identical to production standard engines.

### Power Standards

The engine performance corresponds to ISO 3046, BS 5514 and DIN 6271. The technical data applies to an engine without cooling fan and operating on a fuel with calorific value of 42.7 MJ/kg (18360 BTU/lb) and a density of 0.84 kg/litre (7.01 lb/US gal, 8.42 lb/Imp gal), also where this involves a deviation from the standards.



AB Volvo Penta  
 SE-405 08 Göteborg, Sweden  
 www.volvopenta.com

565 kW (768 hp) crankshaft power acc. to ISO 3046

The TAD1643VE is a powerful, reliable and economical Versatile Diesel Engine built on the dependable Volvo in-line six design.

### Durability & low noise

Designed for the easiest, fastest and most economical installation. Well balanced to produce smooth and vibration-free operation with low noise level, featured with high torque.

To maintain a controlled working temperature in cylinders and combustion chambers, the engine is equipped with piston cooling. The engine is also fitted with replaceable cylinder liners and valve seats / guides to ensure maximum durability and service life of the engine.

### Operational economy and Low exhaust emission

The state of the art, high-tech injection and air charging system with low internal losses contributes to excellent combustion and low fuel consumption.

### Easy service & maintenance

Easily accessible service and maintenance points contribute to the ease of service of the engine.

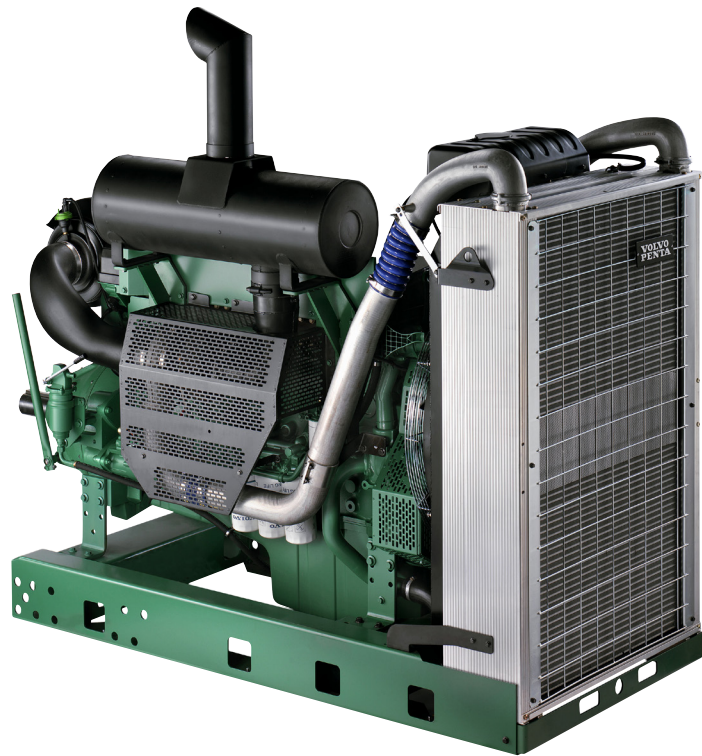
### Technical description:

#### Engine and block

- Optimized cast iron cylinder block with optimum distribution of forces without the block being unnecessary heavy.
- Wet, replaceable cylinder liners
- Piston cooling for low thermal load on pistons and reduced ring temperature
- Tapered connecting rods to reduce risk of piston cracking
- Crankshaft has induction hardened bearing surfaces and fillets with seven main bearings for moderate load on main and big-end bearings
- Nitrocarburized transmission gears for heavy duty operation
- Keystone top compression rings for long service life
- Viscous type crankshaft vibration damper
- Replaceable valve guides and valve seats
- Overhead camshaft and four valves per cylinder equipped with camshaft damper to reduce noise and vibrations.

#### Lubrication system

- Full flow oil cooler
- Full flow disposable spin-on oil filters
- The lubricating oil level can be measured during operation (Standard dipstick only)
- Gear type lubricating oil pump, gear driven by the transmission



### Features

- High torque
- Air to air intercooler
- Fully electronic with Volvo Penta EMS 2
- High power density
- Low noise levels

#### Fuel system

- Self de-aerating system. When replacing filters all fuel stays in the engine.
- Non-return fuel valve
- Electronic Unit Injectors
- Fuel prefilter with water separator and water-in-fuel indicator / alarm
- Gear driven low-pressure fuel pump
- Fuel pressure switch

#### Turbocharger

- Efficient and reliable turbo charger

#### Cooling system

- Air to air intercooler
- Belt driven, maintenance-free coolant pump with high degree of efficiency
- Efficient cooling with accurate coolant control through a water distribution duct in the cylinder block. Reliable sleeve thermostat with minimum pressure drop
- Tropical radiator
- Radiator guard
- Fan hub
- Suction type fan, 890 mm
- Fan & belt guard

#### Electrical system

- Engine Management System 2 (EMS 2), an electronically controlled processing system which optimizes engine performance. It also includes advanced facilities for diagnostics and fault tracing
- The instruments and controls connects to the engine via the CAN SAE J1939 interface, either through the Control Interface Unit (CIU) or the Digital Control Unit (DCU). The CIU converts the digital CAN bus signal to an analog signal, making it possible to connect a variety of instruments. The DCU is a control panel with display, engine control, monitoring, alarm, parameter setting and diagnostic functions. The DCU also presents error codes.
- Sensors for oil pressure, oil temp, boost pressure, boost temp, coolant temp, water in fuel, fuel pressure and two speed sensors. Crank case pressure, piston cooling pressure, oil level and air filter pressure drop sensors.
- Alternator 24V / 80A

## TAD1643VE

### Technical Data

#### General

Engine designation .....	TAD1643VE
No. of cylinders and configuration.....	in-line 6
Method of operation.....	4-stroke
Bore, mm (in.).....	144 (5.67)
Stroke, mm (in.).....	165 (6.50)
Displacement, l (in <sup>3</sup> ).....	16.12 (984)
Compression ratio.....	17.5:1
Dry weight, kg (lb).....	1440 (3175)
With Power Pac, kg (lb).....	1840 (4057)
Wet weight, kg (lb).....	1510 (3329)
With Power Pac, kg (lb).....	2000 (4409)

#### Performance

IFN Power, without fan, at 1850 rpm, kW (hp) .....	565 (768)
IFN Power, with fan Ø890mm, at 1850 rpm, kW (hp) .....	543 (738)
Mean piston speed at 1850 rpm, m/s (ft/s) .....	10.2 (33.4)
Effective mean pressure at 1850 rpm, MPa (psi).....	2.27 (330)
Max combustion pressure at 1850 rpm, MPa (psi) .....	16.7 (2422)

#### Lubrication system

**1850 rpm**

Oil consumption at max rpm, l/h (US gal/h) .....	0.10 (0.026)
Oil system capacity incl filters, liter (US gal) .....	48 (12.7)
Oil change intervals at specification	

VDS-2, h..... 600

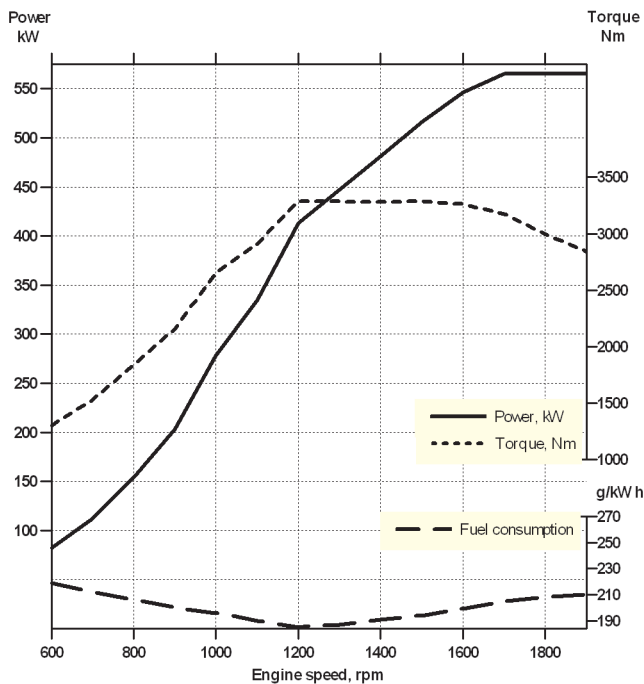
VDS, ACEA E3, h..... 400

ACEA E2, API CF, CF-4, CG-4, h..... 200

#### Intake and exhaust system

**1850 rpm**

Air consumption, m <sup>3</sup> /min (cfm).....	43 (1529)
Max allowable air intake restriction, kPa (In wc) .....	5 (20.1)
Exhaust gas temperature after turbine, °C (°F) .....	508 (946)
Max allowable back-pressure in exhaust line, kPa (In wc).....	15 (60.2)
Exhaust gas smoke, Bosch units.....	0.45



Note! Not all models, standard equipment and accessories are available in all countries. All specifications are subject to change without notice. The engine illustrated may not be entirely identical to production standard engines.

#### Power Standards

The engine performance corresponds to ISO 3046, BS 5514 and DIN 6271. The technical data applies to an engine without cooling fan and operating on a fuel with calorific value of 42.7 MJ/kg (18360 BTU/lb) and a density of 0.84 kg/litre (7.01 lb/US gal, 8.42 lb/Imp gal), also where this involves a deviation from the standards.

#### Rating Guideline

IFN Power rating corresponds to ISO Overload Power. It is intended for applications where intermittent power is

utilized less than 1 hour within any period of 12 hours of continuous operation. The average load factor must not exceed the continuous rating.

ICFN Power rating corresponds to ISO Standard Power for continuous operation. It is intended for constant load applications with uninterrupted service at full load for extended periods of time. The average load factor must not exceed 70% of the continuous rating, when operating at continuous speed and load.

#### Standard Equipment

##### Engine

- Automatic belt tensioner
- Lift eyelets
- Flywheel housing with conn. acc. to SAE 1
- Flywheel for 14" flex. plate and flexible coupling
- Vibration dampers

##### Engine suspension

- Fixed front suspension

##### Lubrication system

- Oil dipstick
- Full-flow oil filter of spin-on type
- By-pass oil filter of spin-on type
- Oil cooler, side mounted
- Low noise oil sump

##### Fuel system

- Fuel filters of disposable type
- Electronic unit injectors
- Pre-filter with water separator

##### Intake and exhaust system

- Air filter without rain cover
- Air filter with replaceable paper insert
- Air restriction indicator
- Air cooled exhaust manifold
- Connecting flange for exhaust pipe
- Exhaust flange with v-clamp
- Turbo charger, low right side
- Crankcase ventilation

##### Cooling system

- Radiator 1.3 m<sup>2</sup> including intercooler
- Belt driven coolant pump
- Fan hub
- Suction fan
- Fan guard
- Belt guard

##### Control system

- Engine Management System 2(EMS 2) with CAN-bus interface SAE J1939
- Digital Control Unit (DCU)

##### Alternator

- Alternator 80A / 24 V

##### Starting system

- Starter motor, 7.0kW, 24 V
- Connection facility for extra starter motor

##### Instruments and senders

- Temp.- and oil pressure for automatic stop/alarm

##### Other equipment

- Expandable base frame

##### Engine Packing

- Plastic wrapping

- optional equipment or not applicable
- included in standard specification

# VOLVO PENTA

**AB Volvo Penta**  
SE-405 08 Göteborg, Sweden  
www.volvopenta.com