

VOLVO PENTA

VOLVO PENTA INBOARD DIESEL

D6-440/480 WJ

5.5 liter, in-line 6 cylinder



DB MOTEURS

Volvo Penta Center

www.dbmoteurs.fr

+33 3 28 64 36 36

contactweb@dbmoteurs.fr

CONTACT US FOR YOUR (RE)MOTORIZATION PROJECT OR FOR ANY NEED FOR VOLVO PENTA ORIGINAL SPARE PARTS



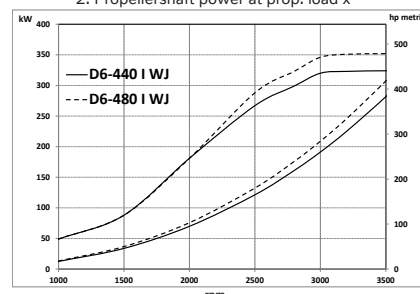
Technical Data

Product designation	D6-440 WJ	D6-480 WJ
Crankshaft power, kW (hp)	324 (440)	353 (480)
Engine speed, rpm	3700	3700
Engine displacement, l (in ³)	5.50 (335.6)	5.50 (335.6)
Engine configuration	in-line 6	in-line 6
Aspiration	turbo, after cooler	turbo, after cooler
Rating	R5*	R5*
Dry weight Bobtail, kg (lb)	625 (1378)	625 (1378)
Voltage	12V or 24V	12V or 24V
Emission compliance	IMO NOx, EU RCD Stage II, US EPA Tier 3	
Flywheel / flywheel housing	SAE10 / SAE4	SAE10 / SAE4

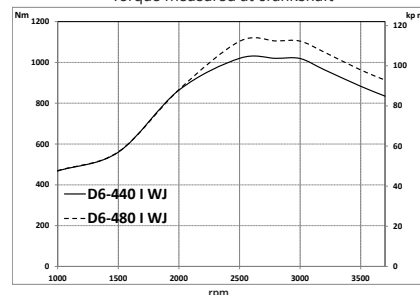
Technical data according to ISO 8665. With fuel having an LHV of 42700 kJ/kg and density of 840 g/liter at 15 °C (60 °F). Merchant fuel may differ from this specification which will influence engine power output and fuel consumption.

*R5. For pleasure craft applications, and can be used for high speed planing crafts in commercial applications.

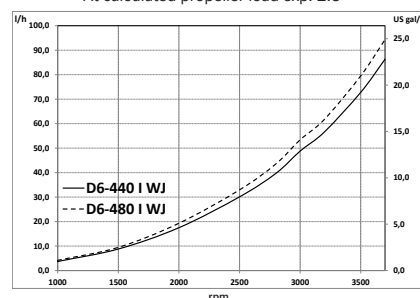
Power
1. Crankshaft power
2. Propellershaft power at prop. load x^{2,5}



Torque
Torque measured at crankshaft



Fuel consumption
At calculated propeller load exp. 2.5



More information on www.dbmoteurs.fr

D6-440/480 WJ

5.5 liter, in-line 6 cylinder

Technical description

Engine block and head

- Cylinder block and cylinder head made of cast iron
- Ladder frame fitted to engine block
- 4-valve technology with hydraulic lash adjusters
- Double overhead camshafts
- Oil-cooled pistons with two compression rings and one oil scraper ring
- Integrated cylinder liners
- Seven bearing crankshaft
- Rear end transmission

Engine mounting

- Flexible engine mounting

Lubrication system

- Replaceable separate full-flow and bypass oil filter
- Seawater cooled tubular oil cooler
- Oil level and oil temperature sensors
- Crankcase oil separator, maintenance free unit

Fuel system

- Common rail injection system, 2000 bar
- Electronically controlled central processing system (EMS – Engine Management System)
- Fuel pressure sensor that indicates clogging in fuel filters
- Single fine fuel filter of spin-on type, with water separator and water in fuel alarm

Air inlet and exhaust system

- Air filter with replaceable insert
- Crankcase gases vented into the air inlet
- Exhaust elbow or exhaust riser
- Turbocharger, freshwater cooled
- Loss of sea water alarm

Cooling system

- Thermostatically regulated freshwater cooling
- Seawater cooled tubular heat exchanger
- Coolant system prepared for hot water outlet
- Seawater impeller pump
- Engine mounted seawater strainer

Electrical system

- Marine alternator (12V/150A or 24V/80A) prepared for Pulse Width Modulation (PWM)
- Automatic fuses for engine, transmission and EVC
- Auxiliary stop switch in front of engine
- Engine available as 12V or 24V
- Power connections and fuses co-located in one connection box on engine

Electronic Vessel Control (EVC)

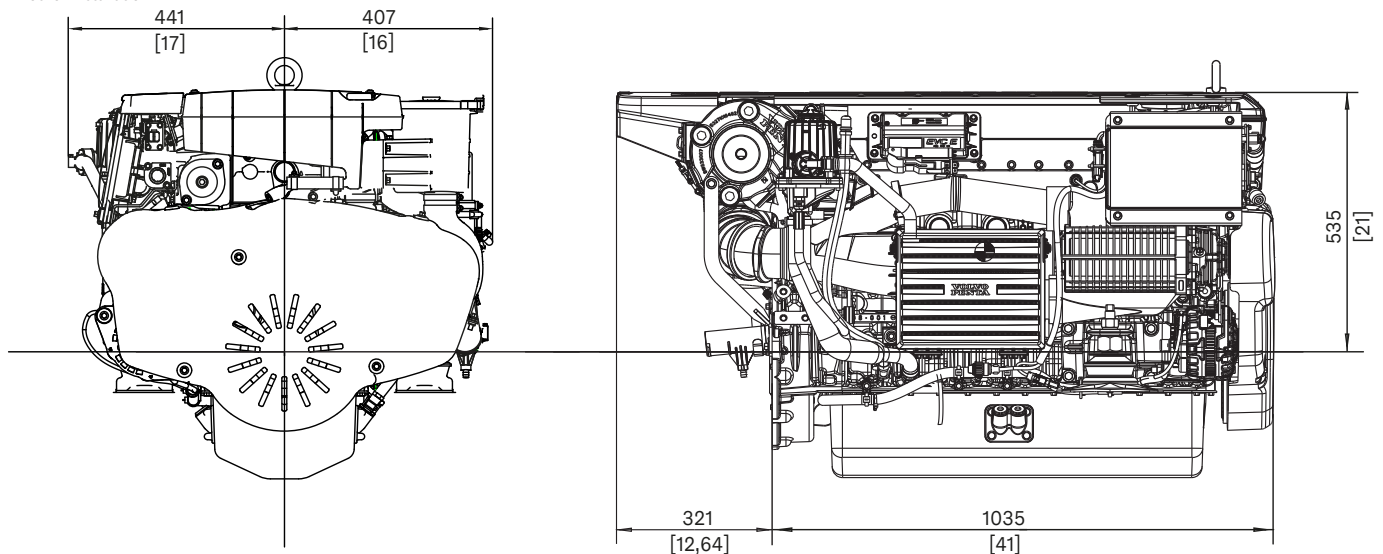
- Fully integrates the engines, electronics and EVC features with Glass Cockpit
- Electronic throttle as standard
- Plug-in connectors
- Support for Easy Connect app
- Maintenance Assistant with service alert

Option

- U.S.C.G./MED (SOLAS)

Dimensions D6-440 WJ, D6-480 WJ

Not for installation



Not all models, standard equipment and accessories are available in all countries. All specifications are subject to change without notice. The engine illustrated may not be entirely identical to production standard engines.

Contact your local Volvo Penta dealer for more information regarding Volvo Penta engines and optional equipment/accessories or visit www.volvopenta.com



DB MOTEURS

Volvo Penta Center

www.dbmoteurs.fr

+33 3 28 64 36 36

contactweb@dbmoteurs.fr

CONTACT US FOR YOUR (RE)MOTORIZATION PROJECT OR FOR ANY NEED FOR VOLVO PENTA ORIGINAL SPARE PARTS



AB Volvo Penta

SE-405 08 Göteborg, Sweden

www.volvopenta.com

More information on www.dbmoteurs.fr