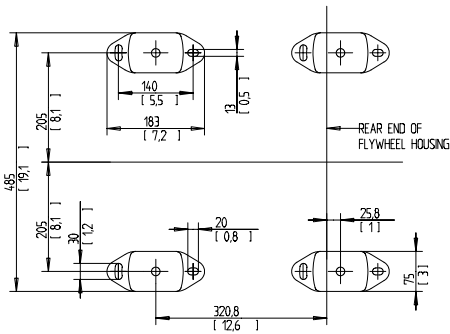
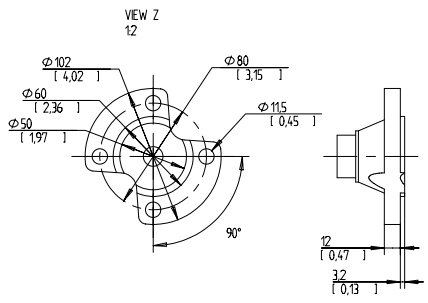
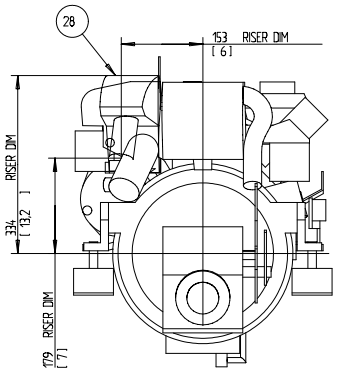
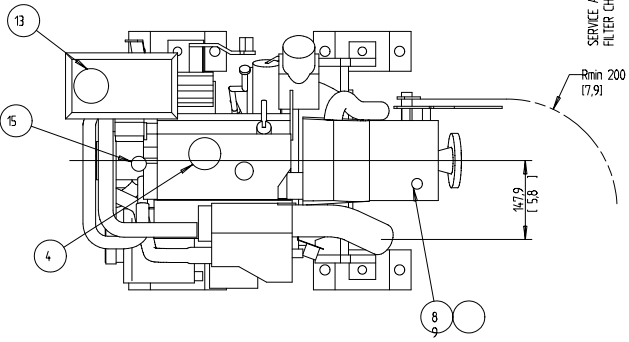
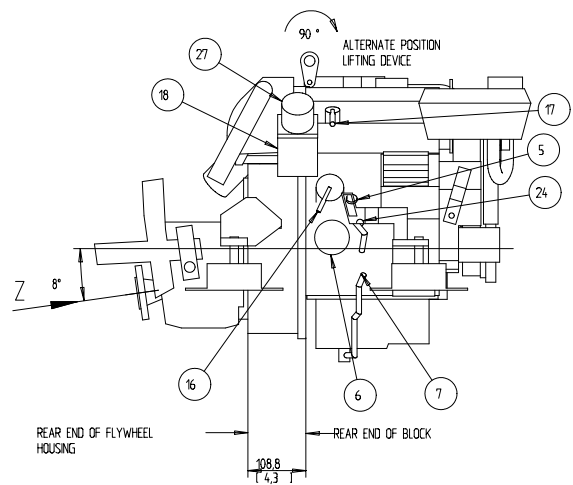
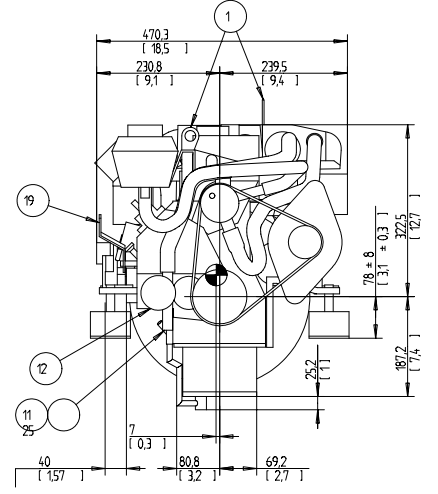
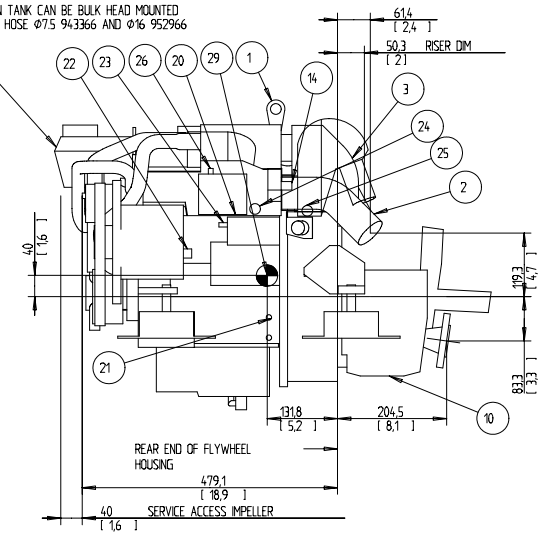


EXPANSION TANK CAN BE BULK HEAD MOUNTED
THEN USE HOSE Ø75 943366 AND Ø16 952966

Customer Name Moto Club	Location	Drawn description P/A	D 1.4 + 030	Released 1
Address 20010	W/line			Revision count



SCALE 1:5
OIL CAPACITY INCLUDING OIL FILTER: 2.8 LITERS
FRESHWATER SYSTEM CAPACITY: 3.0 LITERS
WEIGHTS:
DRY 127 kg
OIL & WATER 134 kg

DIMENSION IN MILLIMETRES AND (INCHES)

NR	ITEM
1	LIFTING DEVICE
2	EXHAUST ELBOW FOR HOSE ID 45(1.75)
3	AIR FILTER (SILENCER)
4	OIL FILLING
5	OIL DIPSTICK ENGINE
6	OIL FILTER
7	OIL DRAIN (WITH PUMP) ENGINE ID 8 (0.35)
8	OIL DIPSTICK REVERSE GEAR
9	OIL FILLER CAP REVERSE GEAR
10	OIL DRAIN REVERSE GEAR
11	SEAWATER INLET FOR HOSE ID 19(0.75)
12	SEA WATER PUMP
13	WATER FILLER CAP FRESH WATER
14	HOTWATER OUTLET
15	HOTWATER INLET
16	FUEL CONNECTION FOR HOSE ID 10 (3/8)
17	FUEL RETURN CONNECTION FOR HOSE ID 10 (3/8)
18	FUEL FILTER
19	SPEED CONTROL LEVER
20	CONNECTION BOX FOR EXTENSION CABLE
21	BATTERY MINUS (-) CONNECTION
22	PLUS (+) CONNECTION FOR CHARGING DISTRIBUTOR
23	STARTER BATTERY PLUS (+) CONNECTION
24	WATER DRAIN FRESH WATER
25	WATER DRAIN SEAWATER
26	AUTOMATIC FUSE RESET
27	HAND PRIMER PUMP
28	RISER (OPTIONAL)
29	CENTRE OF GRAVITY

© VOLVO DIESELMOTORS AND GENERAL DRAWING METHODS STD 90-500 AND STD 922560

The copyright, reproduction and utilization of this document as well as the transmission of its contents to others without the express written permission of Volvo Penta are strictly prohibited. In the event of any infringement, Volvo Penta shall be held liable for any damages.

ENGINE DIMENSIONS
D1-20/MS10A

Document type
DIMENSION DRAWING

Document no
3591388

Sheet no
101

Scale
1:5

DATE
10/1

REV
1